

Answers to whole week projects: History.

Here are the answers to the questions about Fairtrade.

Answers

1. When was the Fairtrade Foundation established in the United Kingdom?
The Fairtrade Foundation was established in 1992.
2. What are the main aims of Fairtrade? Give two.
The main aims of Fairtrade are to give small scale farmers a better deal and to offer rural families a stable income.
3. Explain what a Fairtrade deal is.
A Fairtrade deal is one where 50% of the organisation is owned by farmers and workers, giving an equal voice in decision making.
4. Fairtrade Premium is an additional sum of money given to a farmer. What is its purpose?
The Fairtrade Premium is meant to develop the farming community, protecting the environment where people live and work.
5. Why do you think it is important to protect the environment that the farmers and workers live in?
It's important to protect the environment because this would protect the farmers' income, their crop and their way of life.
6. Do you think it is important to buy Fairtrade products? Explain.
Various answers possible. May include themes such as supporting people who are less well off or giving a fair price.
7. Look at the numbers of certified Fairtrade farmers around the world. Are farmers keen to join the Fairtrade system? Why?
Answers may include ideas that explain the large numbers involved. If there are lots of certified farmers, Fairtrade must make a big difference to them.
8. Which of these is **not** a reason to become a Fairtrade School?
Extra pocket money is not a reason to become a Fairtrade School.
9. Every day in the UK, we drink more than 8 million Fairtrade drinks. What does this tell you about people's opinion of Fairtrade?
The fact tells you that lots of people want to support Fairtrade.
10. How much money does the average cocoa farmer in Ghana earn? Why has this fact been included?
The average cocoa farmer in Ghana earns \$1 a day. Explanations may refer to the idea that this is not a lot of money so Fairtrade would support the farmers and help them achieve a living wage.

Science

Here are the answers to last week's Science.

Science: Electricity Assessment

Please write the answers to these questions about electricity in your book. I will send you the mark scheme on Monday.

Q1.

(a)

Do different cells affect the brightness of a bulb?

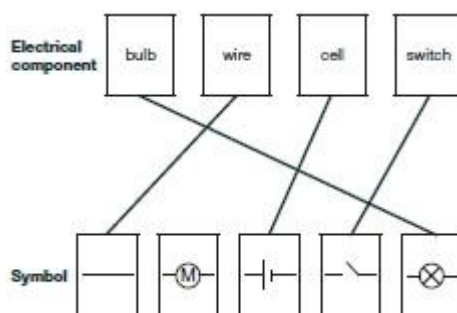
How many bulbs can be lit by one cell?

Does the number of cells affect the brightness of a bulb?

Does the number of switches affect the brightness of a bulb?

Does the direction of cells affect the brightness of a bulb?

(b)



- (c)
- she should cut them to the same size
 - she should use wires that are the same length





(d)

how quickly the bulb lights up how bright the bulb is

how many wires there are what metals the wires are made of

Q2.

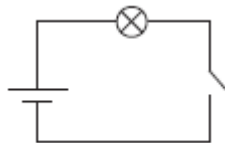
(a)

Circuit symbol	Name of part
	<u>switch</u>
	<u>buzzer [given]</u>
	<u>bulb/lamp</u>
	<u>cell/battery</u>

- (b) (i)
- close the switch
 - check if the switch is closed
 - complete/close the circuit.
- (ii)
- add a battery.
- or**
- take away one/both of the lamps/bulbs.

Q3.

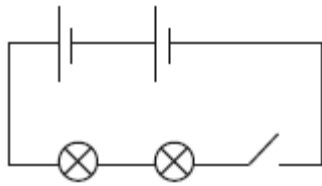
(a) (i)



- (ii) a cell or a battery.

Q4.

(a)



(b)

add another bulb **...No...**

add another cell **...Yes...**

use longer wires **...No...**

Q5.

(a)

- D

(b) • the bulb will be (a bit) dimmer

• it is not as bright.

(c) • the electricity cannot pass through the sticky tape

• it is an (electrical) insulator

• the metal clips conduct electricity but sticky tape does not

• the current cannot flow

• the circuit is (now) incomplete/broken.